

Product:

AMS - Automotive Climate Compressor Sealing

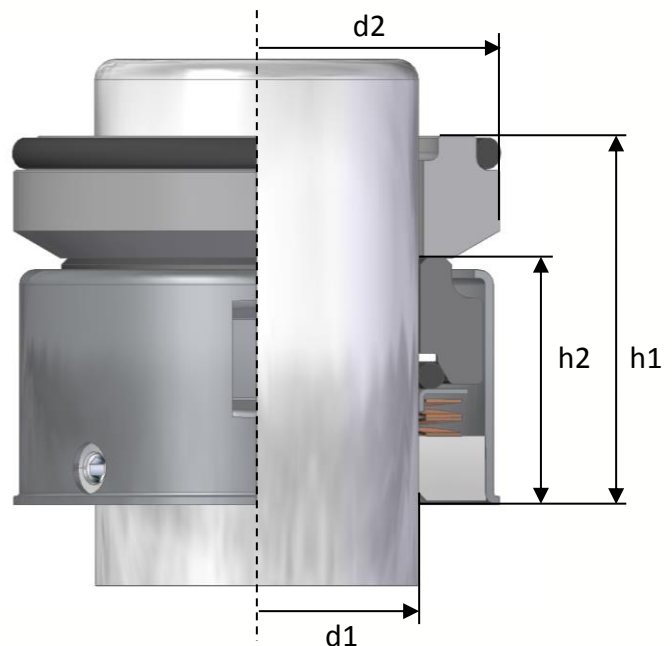
The AMS (*Air-conditioning Mechanical Seal*) is a rotary shaft seal for automotive and industrial climate compressors. Its robust design creates an optimal solution at demanding performance conditions. The high durability and wear resistance are appreciated by our customers.

Operation conditions:

Item	Range	Unit
Medium	R134a/R1234yf/R22 & Compressor Oil	[-]
Pressure – dynamic	0 till 0,45	MPa.g
Pressure – static	-0,1 till 1,0	MPa.g
Temperature	-40 till +130	°C
Speed	4.500	min ⁻¹
Elastomer materials	HNBR / PTFE	[-]

Assembly dimensions:

Item	Abbr.	Range	Unit
Shaft diameter	d1	28 40	mm
Bore diameter	d2	42,8 60,2	mm
Total height	h1	43,5 45,5	mm
Mounting height	h2	32,5 33,5	mm



All technical specifications are based on extensive tests and our many years of experience. The diversity of possible applications, however, means that they can serve only as guide values. We must be notified of the exact conditions of application before we can provide any guarantee for a specific case. This is subject to change.

Developing small things that make a big difference.